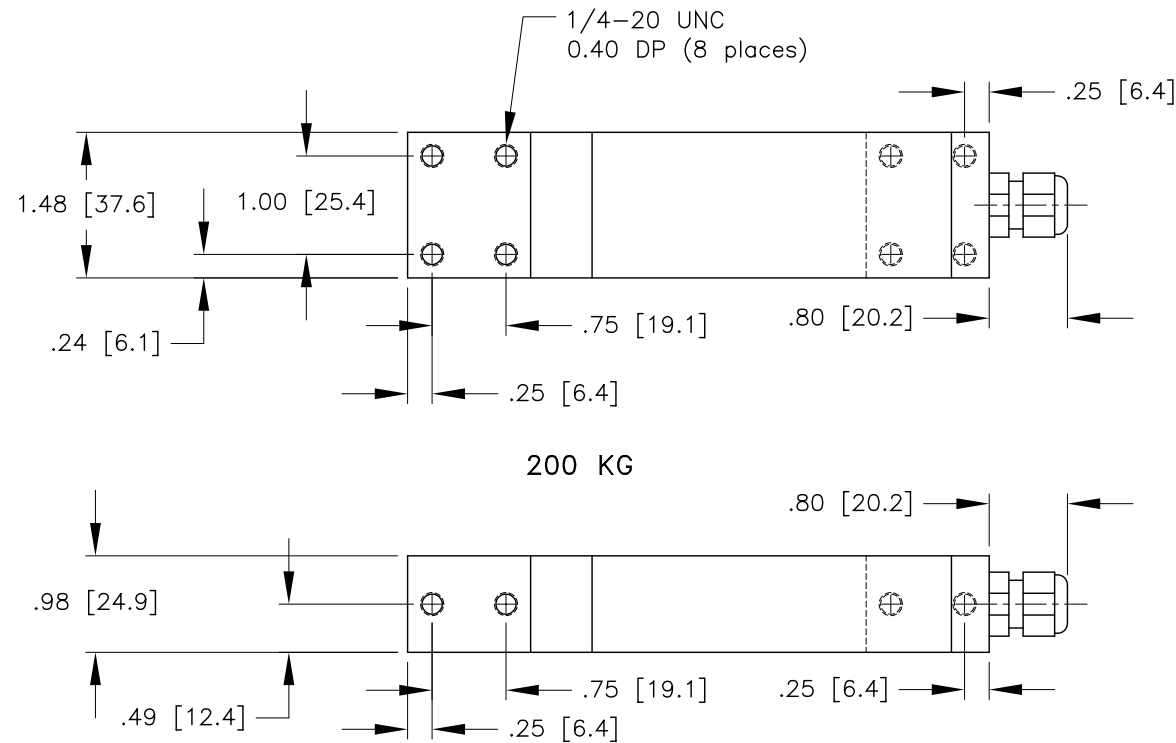
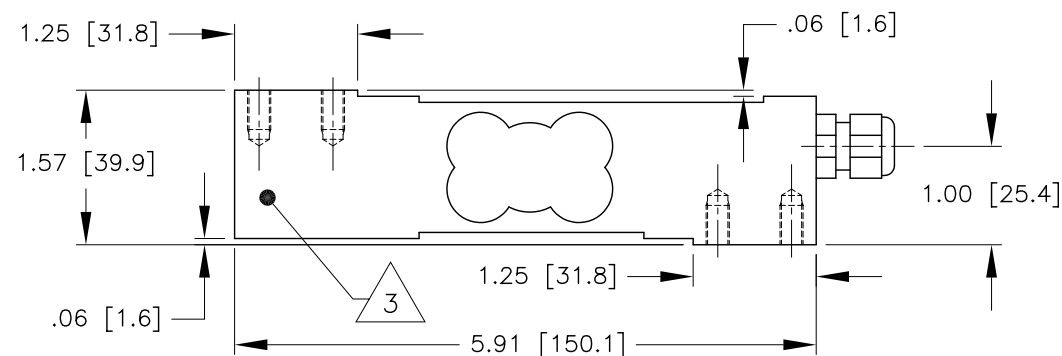


REV.	ECO/DDC	DESCRIPTION	DATE	DRAFT	CHECK	APV'D
A	----	RELEASED.	07-28-04	S.N.	T.K.	S.N.
B	10245	REVISED PER ECN.	08-16-07	T.N.	S.N.	V.J.C.
C	10675	REVISED PER ECN.	09-23-09	V.J.C.	C.B.	V.J.C.

CAPACITY KG	MODEL NUMBER	PART NUMBER
7.5	HI SP1-7.5	0554-0029-09
10	HI SP1-10	0554-0029-02
15	HI SP1-15	0554-0029-03
30	HI SP1-30	0554-0029-04
50	HI SP1-50	0554-0029-05
75	HI SP1-75	0554-0029-06
100	HI SP1-100	0554-0029-07
200	HI SP1-200	0554-0029-08



7.5 KG THROUGH 100 KG



7.5 KG THROUGH 200 KG

7. THIS DRAWING IS SUBJECT TO CHANGE WITHOUT NOTICE.
6. CABLE IS 6 CONDUCTOR, SHIELDED AND 10 FT. IN LENGTH. CABLE SHIELD IS FLOATING.
5. WIRE COLOR CODE:

EXCITATION +	GREEN
EXCITATION -	BLACK
SIGNAL +	WHITE
SIGNAL -	RED
SHIELD	YELLOW
C2 +	GRAY
C2 -	VIOLET

 INSTALLED AT CABLE END
4. CABLE WIRE ENDS ARE STRIPPED BACK 0.5 IN. AND TINNED. CABLE JACKET IS STRIPPED BACK APPROX. 5 IN.
3. LOCATION OF SERIAL NUMBER LABEL.
2. MATERIAL: SENSOR- STAINLESS STEEL 17.4PH (1.4548).
1. RATED OUTPUT: 2mV/V ±5%

NOTES: SUBJECT TO CHANGE WITHOUT NOTICE

PROPRIETARY NOTICE
 ALL DATA AND INFORMATION CONTAINED IN OR DISCLOSED BY THIS DOCUMENT IS CONFIDENTIAL AND PROPRIETARY INFORMATION OF HARDY INSTRUMENTS INC. AND ALL RIGHTS THEREIN ARE EXPRESSLY RESERVED. BY ACCEPTING THIS MATERIAL THE RECIPIENT AGREES THAT THIS MATERIAL AND THE INFORMATION CONTAINED THEREIN IS HELD IN CONFIDENCE AND IN TRUST AND SHALL NOT BE USED, COPIED, REPRODUCED IN WHOLE OR IN PART, NOR ITS CONTENTS REVEALED IN ANY MANNER TO OTHERS, EXCEPT TO MEET THE SPECIFIC PURPOSE FOR WHICH IT WAS DELIVERED.

ITEM	QTY	0588-0106	OUTLINE DRAWING, LOAD SENSOR, HI SP1 SERIES	COMMENTS
PARTS LIST				
UNLESS OTHERWISE SPECIFIED DIMENSIONS ARE IN INCHES TOLERANCES ARE: FRACTIONS: N/A DECIMALS: .XX = ±.03 .XXX = ±.010 ANGLES: ±0°, 30'		CONTRACT NO.		
MATERIAL 17-4PH		APPROVALS		
FINISH		DRAWN S. NAVARRO	DATE 07-22-04	<p>OUTLINE DRAWING, LOAD SENSOR, HI SP1 SERIES</p>
DO NOT SCALE DRAWING		CHECKED T. KOPCZYNSKI	DATE 07-28-04	
		APPROVED S. NAVARRO	DATE 07-28-04	
		ISSUED S. NAVARRO	DATE 07-28-04	
		PRODUCTION	DATE	
SIZE	FSCM	DRAWING NO.	REV.	
D	21316	0588-0106	C	
FILE NAME: 588106C1.DWG		SCALE: NONE	SHEET 1 OF 1	